

STANDARD RECOVERY DIODE (Stud Version) | 普通整流二极管(螺旋式)

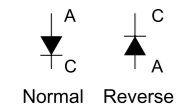
Features

- High surge current capability
- Stud cathode and stud anode version
- Wide current range
- Metric device version available

Typical Applications

- Battery charges
- Converters
- Power supplies
- Machine tool controls
- Welder
- Motor controls

Polarity



Ordering Information Table

Device Code	FR	70	HF	R	120	M	L
	①	②	③	④	⑤	⑥	⑦
1	-None=Standard recovery diodes; FR=Fast recovery diodes						
2	-Current code=IF(AV)						
3	-Outline code: F=DO-4 case 6A~25A; HF=DO-5 case 30A~85A U=DO-8,DO-9 case 100A~300A						
4	-None=Stud Normal Polarity (cathode to stud) R=Stud Reverse Polarity (anode to stud)						
5	-Voltage code=code x 10=VRRM						
6	-None=Standard inch Device; M=Metric Device						
7	-Bigger size						

Notice: If you need metric size or ceramic version, pls contact with ZENLI.



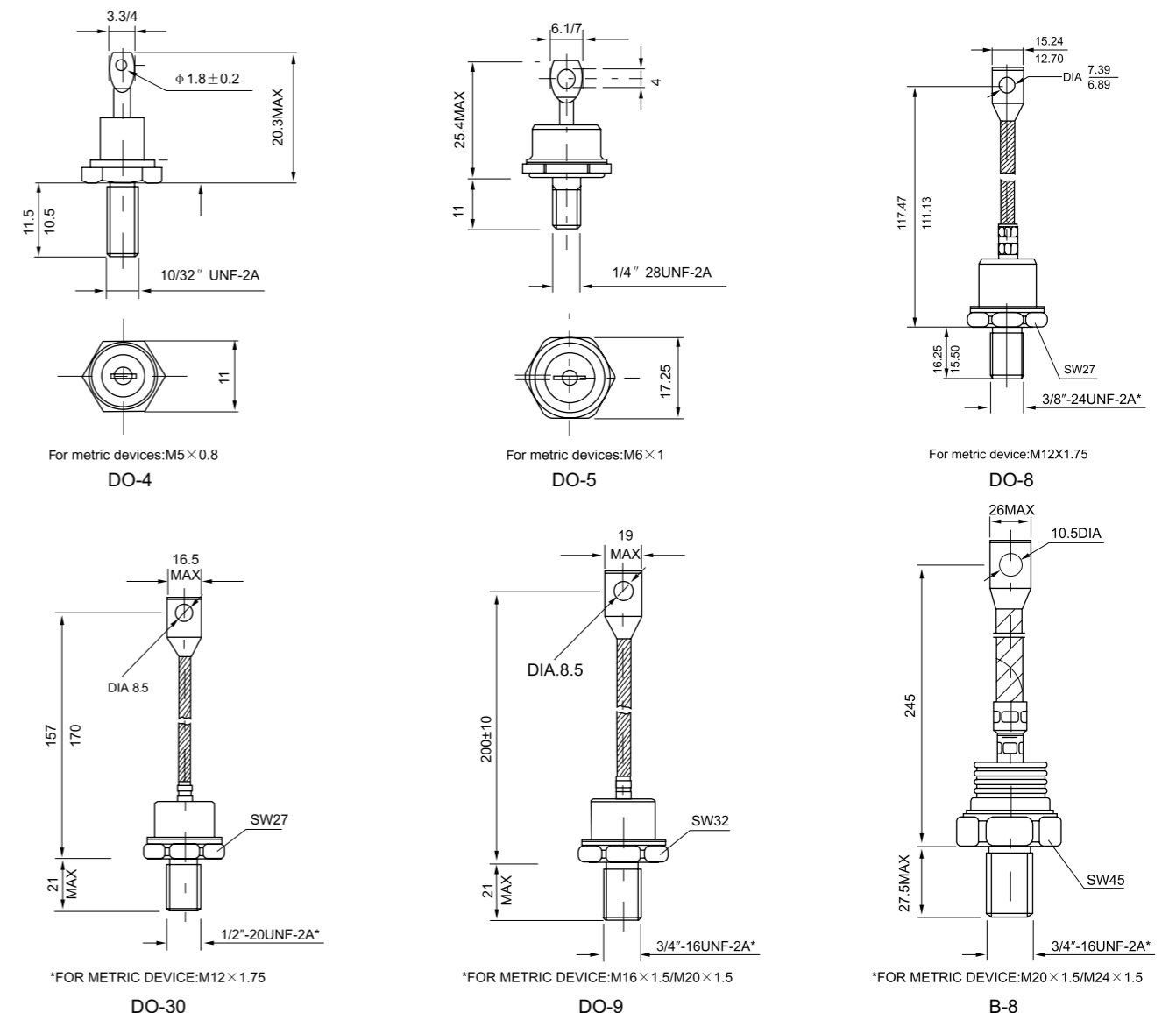
Type	IF(AV)		VFM/IFM		IF(RMS)	VRRM	IRRM	Rjc	Tj	M²	Wt	Outline
	T _{HS} 55 °C		25 °C									
	A	V	A	A	V	mA	°C/W	°C	N/m	kg		
6F(R)	6	1.1	18	9.0	200-1200	≤6	≤2.0			≤1.0	0.008	DO-4
12F(R)	12	1.25	36	19.0	200-1200	≤6	≤1.2			≤1.0	0.008	
16F(R)	16	1.25	48	25.0	200-1200	≤12	≤1.2			≤1.0	0.008	
25F(R)	25	1.1	75	40.0	200-1200	≤12	≤1.2			≤1.0	0.008	
30HF(R)	30	1.3	90	48.0	200-1200	≤10	≤0.8			≤2.0	0.020	DO-5
40HF(R)	40	1.3	120	64.0	200-1200	≤10	≤0.8			≤2.0	0.020	
50HF(R)	50	1.4	150	80.0	200-1200	≤10	≤0.8			≤2.0	0.020	
60HF(R)	60	1.4	180	96.0	200-1200	≤12	≤0.6			≤2.0	0.020	
70HF(R)	70	1.45	210	112.0	200-1600	≤12	≤0.5		-40 °C	≤2.0	0.020	DO-8
85HF(R)	85	1.45	255	136.0	200-1600	≤12	≤0.4		~	≤2.0	0.020	
100U(R)	100	1.8	300	160.0	200-1600	≤15	≤0.3		+150 °C	≤12	0.120	
150U(R)	150	1.5	450	240.0	200-1600	≤15	≤0.3			≤12	0.120	
100U(R)L	100	1.8	300	160.0	200-1600	≤15	≤0.3			≤12	0.140	DO-30
150U(R)L	150	1.5	450	240.0	200-1600	≤15	≤0.3			≤12	0.140	
200U(R)	200	1.3	600	320.0	200-1800	≤20	≤0.2			≤12	0.250	DO-9
250U(R)	250	1.35	750	400.0	200-1800	≤20	≤0.15			≤25	0.250	
300U(R)	300	1.35	900	480.0	200-1800	≤20	≤0.15			≤25	0.250	B-8
SD400N(R)	400	1.6	1200	640.0	200-2400	≤40	≤0.07			≤25	0.580	
SD500N(R)	500	1.6	1500	800.0	200-2400	≤40	≤0.065			≤25	0.580	
SD600N(R)	600	1.5	1800	960.0	200-2400	≤40	≤0.065			≤30	0.580	

Specifications and availability subject to change. Dimensions are shown for reference purposes only. Sales@jeenda.com
Jeenda controls 2008

FAST RECOVERY DIODE (Stud Version) | 快恢复整流二极管(螺旋式)

Type	IF(AV)		VFM/IFM		IF(RMS)	VRRM	IRRM	Rjc	Trr	Tj	M²	Wt	Outline
	T _{HS} 55 °C		25 °C										
	A	V	A	A	V	mA	°C/W	μs	°C	N/m	kg		
FR10F(R)	10	1.5	30	16.0	200-800	≤6	≤2.0	≤0.5			≤1.0	0.008	DO-4
FR15F(R)	15	1.55	45	24.0	200-800	≤12	≤1.2	≤0.5			≤1.0	0.008	
FR20F(R)	20	1.70	60	32.0	200-800	≤12	≤1.2	≤0.5			≤1.0	0.008	
FR40HF(R)	40	1.95	120	64.0	200-1200	≤10	≤1.2	≤0.7			≤2.0	0.020	DO-5
FR50HF(R)	50	1.90	150	80.0	200-1200	≤10	≤1.2	≤0.7	-40 °C		≤2.0	0.020	
FR70HF(R)	70	1.85	210	112.0	200-1200	≤12	≤0.8	≤1.0	~		≤2.0	0.020	
FR80HF(R)	85	1.85	255	136.0	200-1200	≤12	≤0.8	≤1.0	+150 °C		≤2.0	0.020	
FR100U(R)	100	2.05	300	160.0	200-1200	≤15	≤0.3	≤1.5			≤12	0.120	DO-8
FR100U(R)L	100	2.05	300	160.0	200-1200	≤15	≤0.3	≤1.5			≤12	0.140	DO-30
FR150U(R)	150	2.00	450	240.0	200-1200	≤20	≤0.2	≤2.0			≤25	0.250	DO-9
FR200U(R)	200	2.05	600	320.0	200-1200	≤20	≤0.2	≤2.5			≤25	0.250	

Diode Stud Version Outline 螺旋式二极管外型



Specifications and availability subject to change. Dimensions are shown for reference purposes only. Sales@jeenda.com
Jeenda controls 2008

PHASE CONTROL THYRISTOR (Stud Version) | 普通可控硅(螺旋式)

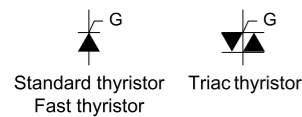
Features

- High current rating
- Excellent dynamic characteristics
- Superior surge capabilities
- Standard package
- Metric Device version available

Typical Applications

- Phase control applications in converters
- Lighting circuits
- Battery charges
- Regulated power supplies and temperature and speed control circuit
- Can be supplied to meet stringent military, aerospace and other high-reliability requirements
- Power supplier & motor controls

Polarity



Ordering Information Table

Device Code	S	50	RIA	120	M
1	2	3	4	5	

1 -None=Standard thyristor
S=Triac thyristor
K=Fast thyristor

2 -Current code=IT(AV)

3 -Essential part number

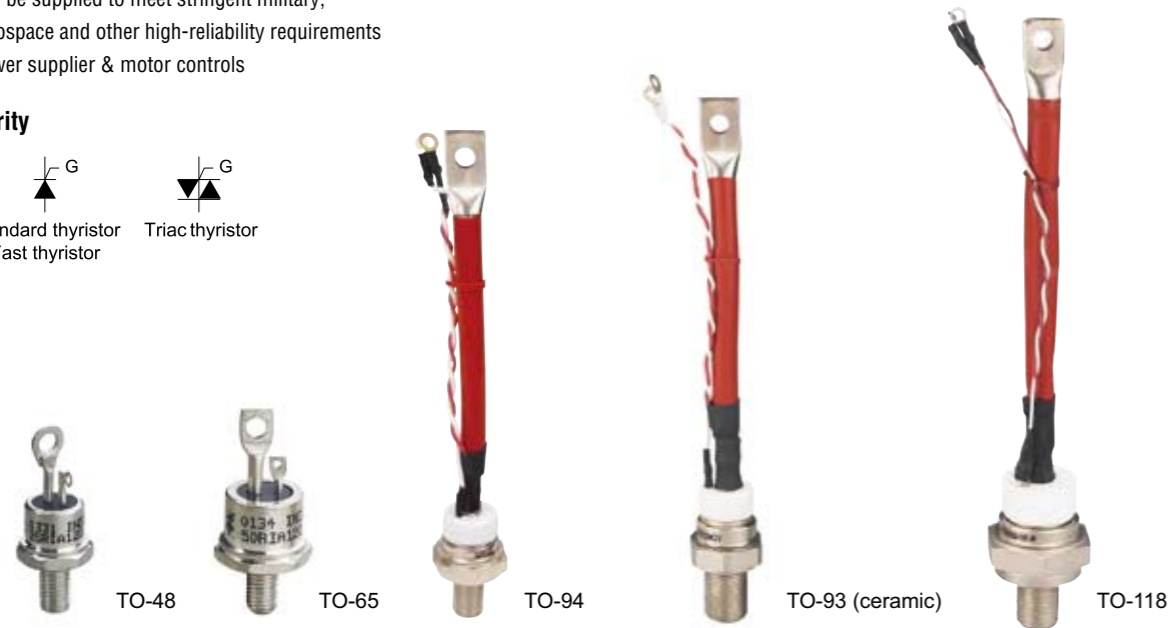
4 -Voltage code: code x 10=V_{RRM}

5 -None=standard inch device
M=metric device

Notice: If you need metric size, pls contact with ZENLI.

Device Code	ST	300	S	16	M	V
1	2	3	4	5	6	

- 1 -ST=Standard thyristor
SST=Triac thyristor
KST=Fast thyristor
- 2 -Current code=IT(AV)
- 3 -S=Stud version device
- 4 -Voltage code: code x 100=V_{RRM}
- 5 -None=standard inch device
M=metric device
- 6 -None=ceramic seal
V=glass-metal seal



Type	IT(AV)		V _{TM} /I _{TM}		IT(RMS)	V _{RRM}	I _{RRM}	I _{GT}	V _{GT}	I _H	I _L	d _v /d _t	d _r /d _t	T _j	R _{jc}	M ²	Wt	Outline
	T _{HS} 55°C		25°C															
	A	V	A	A														
10RIA	10	1.75	30	16	200-1200	≤10	10-100	≤2.5	≤150	≤200	≥500	≥100			≤1.8	≤2.0	0.016	TO-48
16RIA	16	1.75	48	25	200-1200	≤10	10-100	≤2.5	≤150	≤200	≥500	≥100		≤1.5	≤2.0	0.016		
25RIA	25	1.70	75	40	200-1200	≤10	10-100	≤2.5	≤150	≤200	≥500	≥100		≤1.0	≤2.0	0.016	TO-65	
40RIA	40	1.95	120	64	200-1200	≤12	50-200	≤2.5	≤150	≤200	≥500	≥100		≤1.0	≤2.0	0.022		
50RIA	50	1.90	150	80	200-1200	≤12	50-200	≤2.5	≤150	≤200	≥500	≥100		≤0.8	≤2.0	0.022	TO-94	
ST80S	80	1.6	240	128	200-1600	≤15	50-200	≤2.5	≤200	≤400	≥800	≥100	-40°C	≤0.6	≤12	0.160		
ST100S	100	1.6	300	160	200-1600	≤15	50-200	≤2.5	≤200	≤400	≥800	≥100	~	≤0.6	≤12	0.160	TO-94	
ST130S	130	1.55	390	208	200-1600	≤15	50-200	≤2.5	≤200	≤400	≥800	≥100	+125°C	≤0.55	≤12	0.160		
ST150S	150	1.6	450	240	200-1600	≤20	50-200	≤2.5	≤200	≤400	≥800	≥100		≤0.5	≤12	0.160	TO-93	
ST180S	200	1.75	600	320	200-1800	≤20	50-200	≤2.5	≤400	≤600	≥800	≥100		≤0.4	≤25	0.280		
ST230S	250	1.75	750	400	200-1800	≤20	50-200	≤2.5	≤400	≤600	≥800	≥100		≤0.2	≤25	0.280	TO-93	
ST280S	280	1.70	840	450	200-1800	≤25	50-200	≤2.5	≤400	≤600	≥800	≥100		≤0.15	≤25	0.280		
ST300S	300	1.5	900	480	200-2400	≤40	50-200	≤2.5	≤600	≤1000	≥800	≥100		≤0.10	≤30	0.580	TO-118	
ST330S	330	1.55	990	530	200-2400	≤40	50-200	≤2.5	≤600	≤1000	≥800	≥100		≤0.07	≤30	0.580		
ST350S	350	1.6	1050	560	200-2400	≤40	50-200	≤2.5	≤600	≤1000	≥800	≥100		≤0.06	≤30	0.580		

Specifications and availability subject to change. Dimensions are shown for reference purposes only. Sales@jeenda.com
Jeenda controls 2008

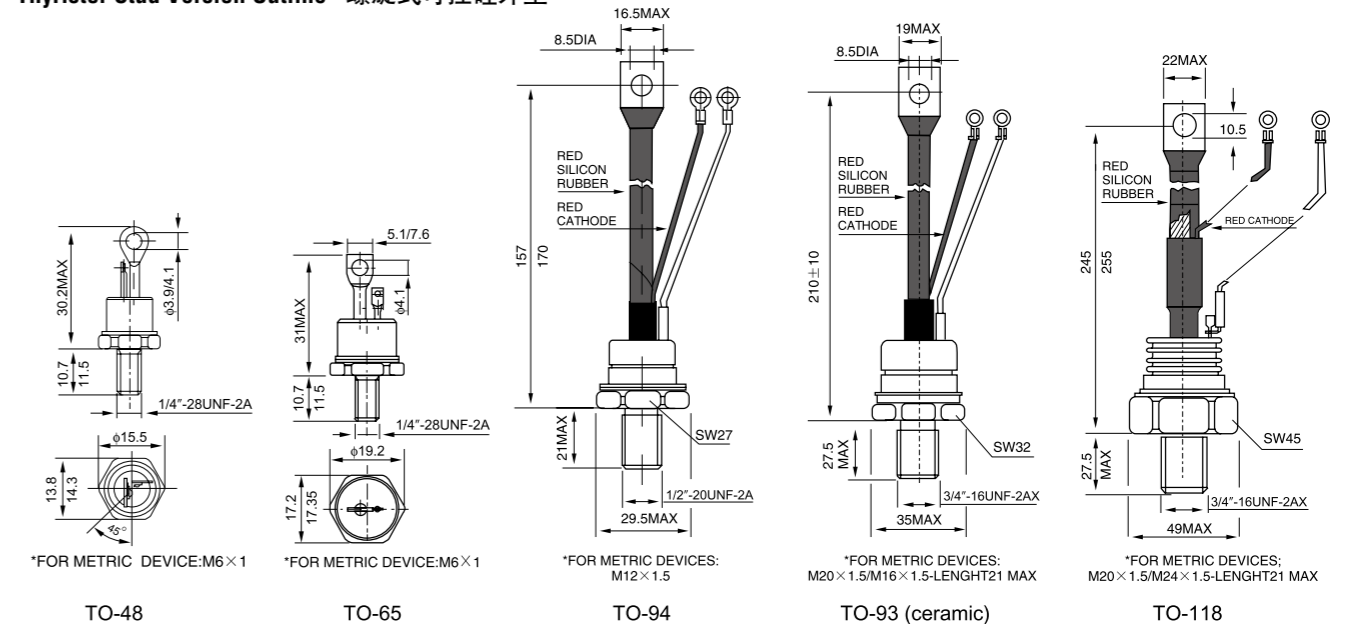
TRIAC THYRISTOR (Stud Version) | 双向可控硅(螺旋式)

Type	IT(AV)		V _{TM} /I _{TM}		V _{RRM}	I _{RRM}	V _{GT}	I _H	I _L	d _v /d _t	d _r /d _t	T _j	R _{jc}	M ²	Wt	Outline
	T _{HS} 55°C		25°C													
	A	V	A	V												
S10RIA	10	2.10	30	200-1200	≤15	≤350	≤200	≤250	≥500	≥10			≤0.12	≤2.0	0.016	TO-48
S16RIA	16	2.15	48	200-1200	≤15	≤350	≤200	≤250	≥500	≥10			≤0.12	≤2.0	0.016	
S25RIA	25	2.35	75	200-1200	≤25	≤350	≤250	≤300	≥500	≥10			≤0.11	≤2.0	0.022	TO-65
S40RIA	40	2.30	120	200-1200	≤25	≤350	≤250	≤300	≥500	≥10			≤0.11	≤2.0	0.022	
S50RIA	50	2.25	150	200-1200	≤25	≤350	≤250	≤300	≥500	≥10		-40°C	≤0.11	≤2.0	0.022	TO-94
SST80S	80	2.05	240	200-1600	≤30	≤350	≤250	≤300	≥500	≥10		~	≤0.10	≤12	0.160	
SST100S	100	2.10	300	200-1600	≤30	≤350	≤250	≤300	≥500	≥10		+125°C	≤0.10	≤12	0.160	TO-94
SST150S	150	2.25	450	200-1600	≤30	≤350	≤250	≤300	≥500	≥10			≤0.09	≤25	0.280	
SST180S	200	2.40	540	200-1600	≤30	≤350	≤250	≤300	≥500	≥10			≤0.09	≤25	0.280	TO-93
SST250S	250	2.40	750	200-1600	≤30	≤350	≤250	≤300	≥500	≥10			≤0.08	≤30	0.580	
SST300S	300	2.45	900	200-1600	≤30	≤350	≤250	≤300	≥500	≥10			≤0.08	≤30	0.580	TO-118

FAST THYRISTOR (Stud Version) | 快速可控硅(螺旋式)

Type	IT(AV)		V _{TM} /I _{TM}		IT(RMS)	V _{RRM}	I _{RRM}	T _q	I _{GT}	V _{GT}	I _H	I _L	d _v /d _t	d _r /d _t	T _j	R _{jc}	M ²	Wt	Outline
	T _{HS} 55°C		25°C																
	A	V	A	A															
K10RIA	10	2.35	30	16	200-1200	≤10	10-20	10-100	≤2.5	≤150	≤200	≥500	≥100			≤1.8	≤2.0	0.016	TO-48
K16RIA	16	2.35	48	25	200-1200	≤10	10-20	10-100	≤2.5	≤150	≤200	≥500	≥100			≤1.5	≤2.0	0.016	
K25RIA	25	2.50	75	40	200-1200	≤12	10-20	50-100	≤2.5	≤150	≤200	≥500	≥100			≤1.0	≤2.0	0.022	TO-65
K40RIA	40	2.55	120	64	200-1200	≤12	10-20	50-100	≤2.5	≤150	≤200	≥500	≥100			≤1.0	≤2.0	0.022	
K50RIA	50	2.50	150	80	200-1200	≤12	10-20	50-100	≤2.5	≤150	≤200	≥500	≥100		-40°C	≤0.8	≤2.0	0.022	TO-94
KST80S	80	2.30	240	128	200-1600	≤15	15-25	50-100	≤2.5	≤200	≤400	≥800	≥100	~	≤0.6	≤12	0.160		
KST100S	100	2.25	300	160	200-1600	≤15	15-25	50-100	≤2.5	≤200	≤400	≥800	≥100	+125°C	≤0.6	≤12	0.160	TO-94	
KST150S	150	2.35	450	240	200-1800	≤20	15-30	50-100	≤2.5	≤200	≤400	≥800	≥100		≤0.5	≤25	0.280		
KST180S	200	2.40	600	320	200-1800	≤20	15-30	50-100	≤2.5	≤400	≤600	≥800	≥100		≤0.45	≤25	0.280	TO-93	
KST230S	250	2.45	700	400	200-1800	≤25	15-30	50-100	≤2.5	≤400	≤600	≥800	≥100		≤0.3	≤30	0.580		
KST300S	300	2.50	900	480	200-1800	≤40	15-30	50-100	≤2.5	≤400	≤600	≥800	≥100		≤0.25	≤30	0.580	TO-118	

Thyristor Stud Version Outline 螺旋式可控硅外型



Specifications and availability subject to change. Dimensions are shown for reference purposes only. Sales@jeenda.com
Jeenda controls 2008